

# Product Management News

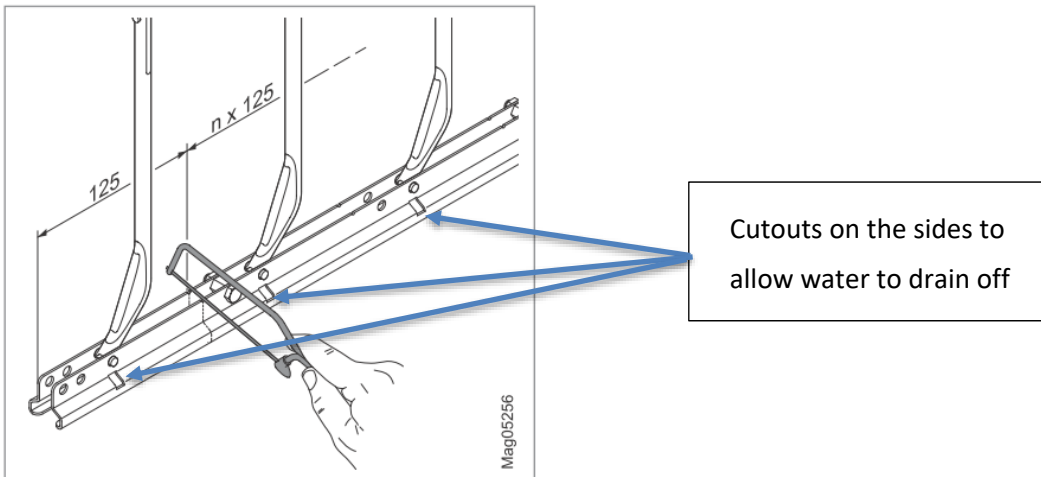
From: Chris Webb  
Date: January 2024  
Subject: **New barrier arm skirt GS / GUE**

Dear Customer,

We excited to inform you that we have revised and improved our standard barrier arm skirts GS and our arm skirts with over-climb prevention GUE.

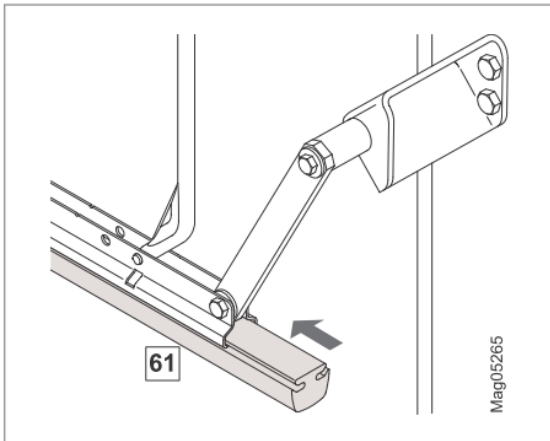
The following changes have been made:

1. New shape of the profile rails



For barrier arm skirts with over-climb prevention, the new profile rails are used on both the upper and lower skirt.

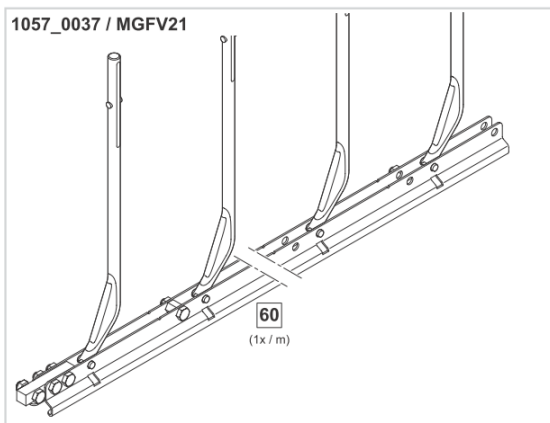
2. The new barrier arm rails were designed to allow the use of foam edge protection.



For boom skirts with over-climb prevention, the foam edge protection is also mounted on the upper guide profile rail.

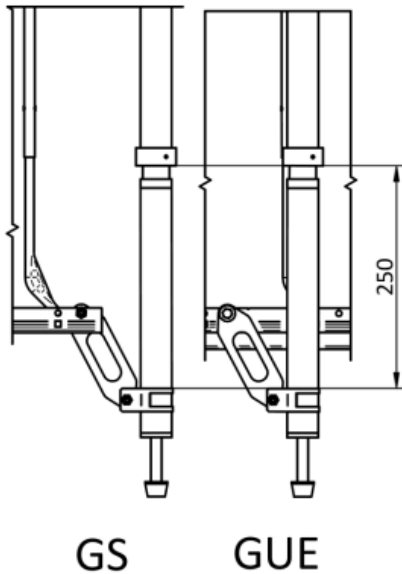
3. Partial pre-assembly of the 1 meter(39.3 inch) long guide profiles

The new profile rails have been reduced from 2 meter(78.6 inches) to 1 meter(39.3 inches) long. The guide profile rails are now supplied pre-assembled in 1 meter long sections. This change significantly reduces the time to assemble a new barrier arm skirt while on site. This also allows us to now deliver the boom skirts in cartons half the size of a shipping pallet. This makes storage easier for you, as cartons longer than 2 meter are no longer used.



For barrier arm skirts with over-climb prevention, the upper skirt section is also partially assembled.

4. Attachment of a pendulum support has been revised increasing stability in wind.



**Delivery date**

Unfortunately, we are forced to switch to the new boom skirts as soon as possible without being able to announce this with some lead time as usual.

The delivery of the first boom skirts in the new version will take place successively from approximately the middle of January, any remaining stock will be used up first.

The new skirt part numbers and links to their manuals are on the next page. Spare parts for repairing skirts has also been updated. If you have any questions, please contact our customer service department.

With kind regards

Chris Webb  
Sr. Product Specialist

**New boom skirt designation**

**Standard boom skirt**

Previous designation	New designation	Version
GS01-10	GS02-10	Standard boom skirt, length 10 ft
GS01-12	GS02-12	Standard boom skirt, length 12 ft
GS01-15	GS02-15	Standard boom skirt, length 15 ft
GS01-20	GS02-20	Standard boom skirt, length 20 ft
GS01-28	GS02-28	Standard boom skirt, length 28 ft
GS01-33	GS02-33	Standard boom skirt, length 33 ft

**Boom skirts with climb-over prevention, 1.3 m (51") height**

Previous designation	New designation	Version
GUE1300-030	GUE1302-030	Over-climb prevention, height 1.3 m, length 10 ft
GUE1300-040	GUE1302-040	Over-climb prevention, height 1.3 m, length 12 ft
GUE1300-050	GUE1302-050	Over-climb prevention, height 1.3 m, length 15 ft
GUE1300-060	GUE1302-060	Over-climb prevention, height 1.3 m, length 20 ft

**Boom skirts with climb-over prevention, 1.8 m (70") height**

Previous designation	New designation	Version
GUE1800-030	GUE1802-030	Over-climb prevention, height 1.8 m, length 10 ft
GUE1800-040	GUE1802-040	Over-climb prevention, height 1.8 m, length 12 ft
GUE1800-050	GUE1802-050	Over-climb prevention, height 1.8 m, length 15 ft
GUE1800-060	GUE1802-060	Over-climb prevention, height 1.8 m, length 20 ft

**Attachments:**

Mounting instructions standard boom skirt [58360041](#)

Mounting instructions boom skirt with climb-over prevention [58360042](#)